

winflow

winControl | MC1



The WinControl remote controller MC1 is intended for adjusting the cycles of fan motors and the corresponding applications. It has a regulator button, which functions in a highly ergonomic and effortless way, which enables to adjust the output of the adjustable device continuously.

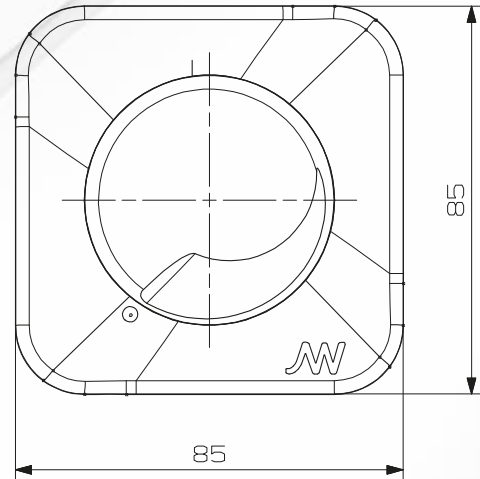
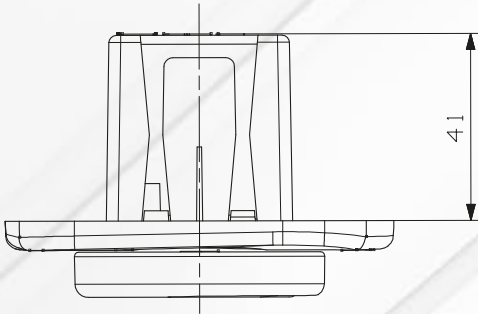
The motor controller MC1 comes in a recessed model, and it is available in white, dark grey and aluminium. The controller's appearance is visually pleasing when positioned somewhere on its own, but its size and design also make it suitable to be positioned next to other kinds of electrical fittings.

Patent bending

winflow

winControl | MC1

Main measurements:



The motor controller **WinControl MC1** is intended for adjusting the cycles of single-phase fan motors. The adjustment technique is triac-based, and the base of the controller fits in all common junction boxes.

It is easy to connect the controller, because only the L phase passes through it. The MC1 is fitted with a trimmer for adjusting the minimum RPM.

Technical specifications:

Nominal voltage	230 VAC \pm 10%
Operating frequency	50 Hz
Nominal current	0.1 – 1 A
Protection class	IP20
Installation opening; min	42x42



Colours:

White RAL 9010
Dark grey RAL 7012
Aluminium RAL 9006

Additional information: info@winflow.fi

HVAC codes:

WinControl-MC1-W: 7816100
WinControl-MC1-G: 7816101
WinControl-MC1-A: 7816102

EAN codes:

WinControl-MC1-W: 6415878161007
WinControl-MC1-G: 6415878161014
WinControl-MC1-A: 6415878161021

Order codes:

WinControl-MC1-W: white
WinControl-MC1-G: dark grey
WinControl-MC1-A: aluminium